



MPX20-30

SPEC SHEET

2,000 - 3,000 kg

MPX Series

Low Lift Pallet Truck
with Operator Platform

VDI 2198 – GENERAL SPECIFICATIONS – MPX SERIES

		Yale						
		MP20X	MP20X Platform with side protection	MP20X Platform with rear protection	MP25X	MP25X Platform with side protection		
GENERAL	1.1	Manufacturer						
	1.2	Model designation						
	1.3	Drive	Electric (battery)					
	1.4	Operator type	Pedestrian / Stand-on	Stand-on		Pedestrian / Stand-on	Stand-on	
	1.5	Rated capacity/Rated load	Q (t)	2.0		2.5		
	1.6	Load centre distance	c (mm)	600				
	1.8	Load distance, centre of drive axle to fork ⁽¹⁾	x (mm)	1005				
	1.9	Wheelbase ^{(2) (1)}	y (mm)	1516				
	WEIGHT	2.1	Service weight ^{(3) (2)}	kg	678	822	678	822
2.2		Axle loading, laden front/rear ⁽²⁾	kg	-				
2.3		Axle loading, unladen front/rear ⁽²⁾	kg	-				
TYRES	3.1	Tyres front/rear	NDIIThane					
	3.2	Tyre size, front	ø (mm x mm)	254 x 90 ⁽⁴⁾	85 x 94	254 x 90 ⁽⁴⁾	85 x 94	
	3.3	Tyre size, rear	ø (mm x mm)	85 x 94 ⁽⁴⁾	254 x 90	85 x 94 ⁽⁴⁾	254 x 90	
	3.4	Additional wheels (dimensions)	ø (mm x mm)	125 x 50				
	3.5	Wheels, number front/rear (x = driven wheels)		1x+2/4 ⁽⁴⁾	4/1x+2	1x+2/4 ⁽⁴⁾	4/1x+2	
	3.6	Tread, front	b ₁₀ (mm)	504 ⁽⁴⁾	382	504 ⁽⁴⁾	382	
	3.7	Tread, rear	b ₁₁ (mm)	382 ⁽⁴⁾	504	382 ⁽⁴⁾	504	
DIMENSIONS	4.4	Lift	h ₃ (mm)	120				
	4.9	Height drawbar in driving position min./max.	h ₁₄ (mm)	1150 / 1383	-	1150 / 1383	-	
	4.15	Height, lowered ⁽⁵⁾	h ₁₃ (mm)	85				
	4.19	Overall length (pedestrian) ⁽²⁾	l ₁ (mm)	1872	-	1944	-	
	4.19.1	Overall length (stand-on) ⁽²⁾	l ₁ (mm)	2301	2378	2476	2373	2378
	4.20	Length to face of forks (pedestrian) ⁽²⁾	l ₂ (mm)	692	-	764	-	
	4.20.1	Length to face of forks (stand-on) ⁽²⁾	l ₂ (mm)	1125	1198	1296	1125	1198
	4.21	Overall width	b ₁ / b ₂ (mm)	750				
	4.22	Fork dimensions	s/e/l (mm)	55 / 170 / 1180				
	4.25	Distance between fork-arms	b ₅ (mm)	552				
	4.32	Ground clearance, centre of wheelbase	m ₂ (mm)	30				
	4.33	Load dimension b ₁₂ × l ₆ crossways	b ₁₂ × l ₆ (mm)	800 x 1200				
	4.34.1	Aisle width for pallets 1000mm x 1200mm crossways (pedestrian) ^{(2) (1)}	A _{st} (mm)	2523	-	2595	-	
	4.34.2	Aisle width for pallets 1000mm x 1200mm crossways (stand-on) ^{(2) (1)}	A _{st} (mm)	2934	3005	3101	3006	3005
	4.34.3	Aisle width for pallets 800mm x 1200mm lengthwise (pedestrian) ^{(2) (1)}	A _{st} (mm)	2368	-	2440	-	
	4.34.4	Aisle width for pallets 800mm x 1200mm lengthwise (stand-on) ^{(2) (1)}	A _{st} (mm)	2779	2849	2946	2851	2849
	4.35	Turning radius (pedestrian) ^{(2) (1)}	W _a (mm)	1723	-	1795	-	
4.35.1	Turning radius (stand-on) ^{(2) (1)}	W _a (mm)	2134	2205	2301	2206	2205	
PERFORMANCE	5.1	Travel speed laden/unladen (pedestrian)	km/h	6 / 6	-	6 / 6	-	
	5.1.1	Travel speed laden/unladen (stand-on)	km/h	9.7 / 13				
	5.1.2	Travel speed, laden/unladen, backwards (pedestrian)	km/h	6 / 6	-	-	6 / 6	-
	5.1.3	Travel speed, laden/unladen, backwards (stand-on)	km/h	9.7 / 13				
	5.2	Lift speed, laden/unladen	m/s	0.05 / 0.06				
	5.3	Lowering speed, laden/unladen	m/s	0.06 / 0.06				
	5.7	Gradeability, laden/unladen ⁽⁶⁾	%	-				
	5.8	Max. gradeability, laden/unladen ⁽⁶⁾	%	11.4 / 20		9.1 / 20		
	5.10	Service brake		Electromagnetic				
	ELECTRIC	6.1	Drive motor, S2 60 minute rating	kW	3			
6.2		Lift motor, S3 15% rating ⁽⁷⁾	kW	2.2				
6.3		Battery according to DIN 43531/35/36 A,B,C, no		B				
6.4		Battery voltage/nominal capacity K5 ⁽²⁾	(V)/(Ah)	24 / 250 ⁽²⁾	24 / 375 ⁽²⁾		24 / 250 ⁽²⁾	24 / 375 ⁽²⁾
6.5		Battery weight ^{(3) (2)}	kg	212	288			
6.6		Energy consumption according to VDI cycle	kWh/h @ no. of cycles	0.6			0.7	
8.1	Type of drive unit		AC-Controller					
10.7	Sound pressure level at the driver's seat	dB (A)	63			68		

(1) With load section lifted: -85mm

(2) See "Batteries table"

(3) These values may vary of +/- 5%

(4) Pedestrian version. For Stand-on version, front/rear are inverted

(5) Max h₁₃ value shall be 87mm

(6) If truck climbs ramps frequently (within 1h), consult your salesman

(7) Value referred to S3 6%

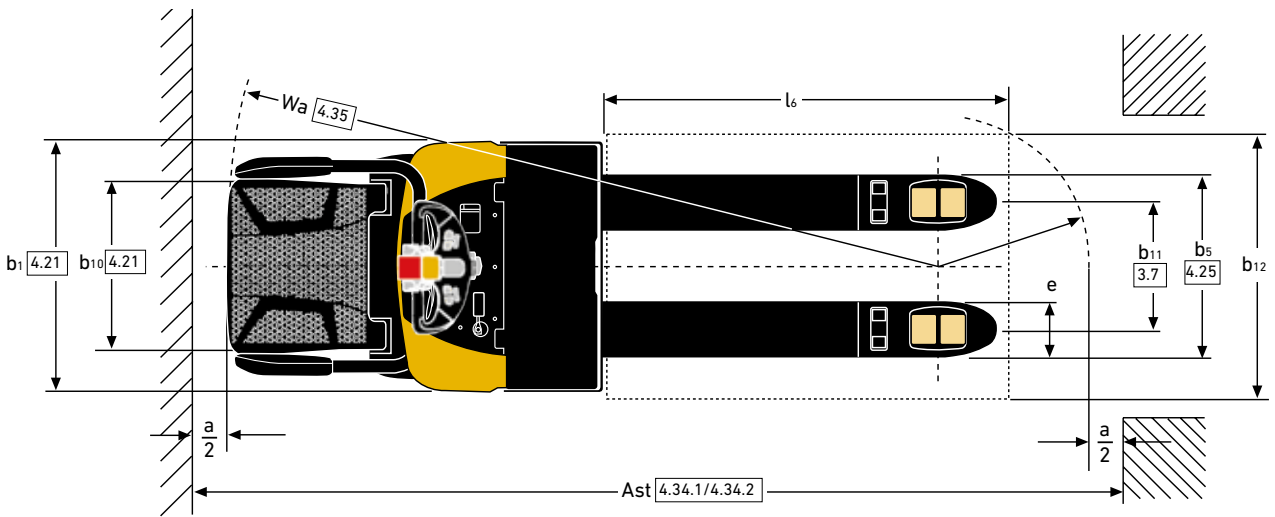
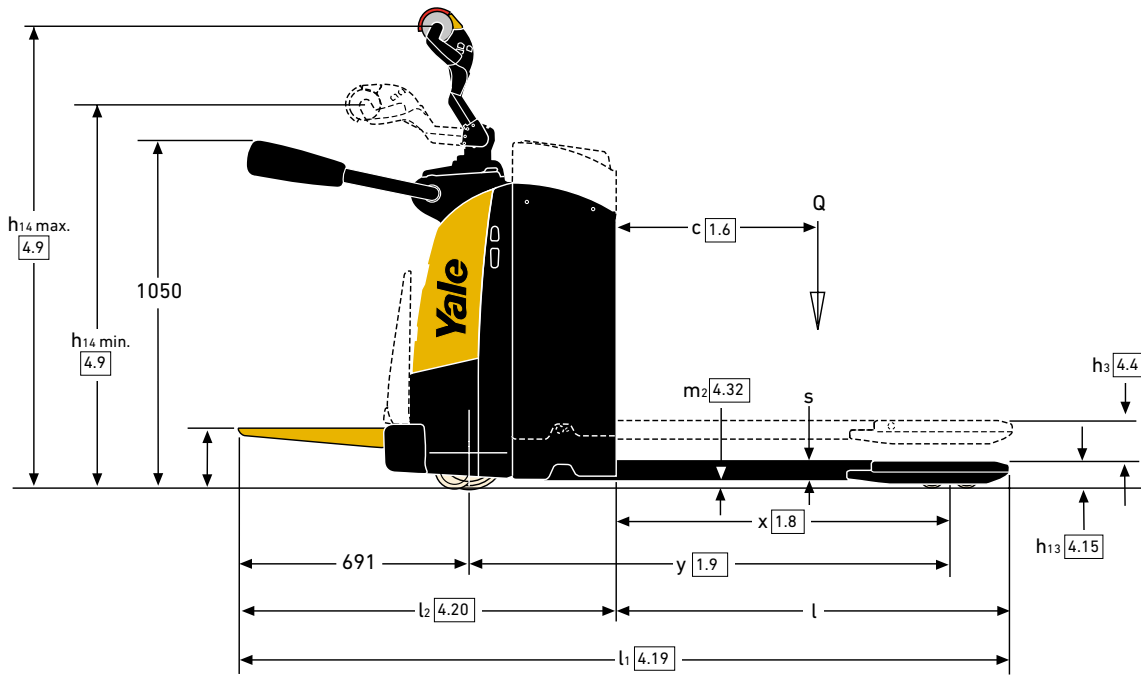
VDI 2198 – GENERAL SPECIFICATIONS – MPX SERIES

		Yale				
GENERAL	1.1	Manufacturer				
	1.2	Model designation	MP25X Platform with rear protection	MP30X	MP30X Platform with side protection	MP30X Platform with rear protection
	1.3	Drive	Electric (battery)			
	1.4	Operator type	Stand-on	Pedestrian / Stand-on		Stand-on
	1.5	Rated capacity/Rated load	Q (t)	2.5	3.0	
	1.6	Load centre distance	c (mm)	600		
	1.8	Load distance, centre of drive axle to fork ⁽¹⁾	x (mm)	1005		
	1.9	Wheelbase ^{(2) (1)}	y (mm)	1516		
	WEIGHT	2.1	Service weight ^{(3) (2)}	kg	822	678
2.2		Axle loading, laden front/rear ⁽²⁾	kg	-		
2.3		Axle loading, unladen front/rear ⁽²⁾	kg	-		
TYRES	3.1	Tyres front/rear	NDIIThane			
	3.2	Tyre size, front	ø (mm x mm)	85 x 94	254 x 90 ⁽⁴⁾	85 x 94
	3.3	Tyre size, rear	ø (mm x mm)	254 x 90	85 x 94 ⁽⁴⁾	254 x 90
	3.4	Additional wheels (dimensions)	ø (mm x mm)	125 x 50		
	3.5	Wheels, number front/rear (x = driven wheels)		4/1x+2	1x+2/4 ⁽⁴⁾	4/1x+2
	3.6	Tread, front	b ₁₀ (mm)	382	504 ⁽⁴⁾	382
	3.7	Tread, rear	b ₁₁ (mm)	504	382 ⁽⁴⁾	504
DIMENSIONS	4.4	Lift	h ₃ (mm)	120		
	4.9	Height drawbar in driving position min./max.	h ₁₄ (mm)	-	1150 / 1383	-
	4.15	Height, lowered ⁽⁵⁾	h ₁₃ (mm)	85		
	4.19	Overall length (pedestrian) ⁽²⁾	l ₁ (mm)	-	1944	-
	4.19.1	Overall length (stand-on) ⁽²⁾	l ₁ (mm)	2476	2373	2476
	4.20	Length to face of forks (pedestrian) ⁽²⁾	l ₂ (mm)	-	764	-
	4.20.1	Length to face of forks (stand-on) ⁽²⁾	l ₂ (mm)	1296	1125	1296
	4.21	Overall width	b ₁ / b ₂ (mm)	750		
	4.22	Fork dimensions	s/e/l (mm)	55 / 170 / 1180		
	4.25	Distance between fork-arms	b ₅ (mm)	552		
	4.32	Ground clearance, centre of wheelbase	m ₂ (mm)	30		
	4.33	Load dimension b ₁₂ × l ₆ crossways	b ₁₂ × l ₆ (mm)	800 x 1200		
	4.34.1	Aisle width for pallets 1000mm x 1200mm crossways (pedestrian) ^{(2) (1)}	Ast (mm)	-	2595	-
	4.34.2	Aisle width for pallets 1000mm x 1200mm crossways (stand-on) ^{(2) (1)}	Ast (mm)	3101	3006	3101
	4.34.3	Aisle width for pallets 800mm x 1200mm lengthwise (pedestrian) ^{(2) (1)}	Ast (mm)	-	2440	-
	4.34.4	Aisle width for pallets 800mm x 1200mm lengthwise (stand-on) ^{(2) (1)}	Ast (mm)	2946	2851	2946
	4.35	Turning radius (pedestrian) ^{(2) (1)}	Wa (mm)	-	1795	-
4.35.1	Turning radius (stand-on) ^{(2) (1)}	Wa (mm)	2301	2206	2301	
PERFORMANCE	5.1	Travel speed laden/unladen (pedestrian)	km/h	-	6 / 6	-
	5.1.1	Travel speed laden/unladen (stand-on)	km/h	9.7 / 13	9.1 / 13	
	5.1.2	Travel speed, laden/unladen, backwards (pedestrian)	km/h	-	6 / 6	-
	5.1.3	Travel speed, laden/unladen, backwards (stand-on)	km/h	9.7 / 13	9.1 / 13	
	5.2	Lift speed, laden/unladen	m/s	0.04 / 0.06	0.03 / 0.06	
	5.3	Lowering speed, laden/unladen	m/s	0.06 / 0.06		
	5.7	Gradeability, laden/unladen ⁽⁶⁾	%	-		
	5.8	Max. gradeability, laden/unladen ⁽⁶⁾	%	9.1 / 20	7.4 / 20	
	5.10	Service brake		Electromagnetic		
	ELECTRIC	6.1	Drive motor, S2 60 minute rating	kW	3	
6.2		Lift motor, S3 15% rating ⁽⁷⁾	kW	2.2		
6.3		Battery according to DIN 43531/35/36 A,B,C, no		B		
6.4		Battery voltage/nominal capacity K5 ⁽²⁾	(V)/(Ah)	24 / 375 ⁽²⁾	24 / 250 ⁽²⁾	24 / 375 ⁽²⁾
6.5		Battery weight ^{(3) (2)}	kg	288		
6.6		Energy consumption according to VDI cycle	kWh/h @ no. of cycles	0.7	0.8	
8.1	Type of drive unit		AC-Controller			
10.7	Sound pressure level at the driver's seat	dB (A)	68			

All values are nominal values and they are subject to tolerances.

TRUCK DIMENSIONS – PLATFORM – MPX SERIES

$A_{st} = W_a + R + a$
 $A_{st} = W_a \sqrt{(l_6 - x)^2 + (b_{12} / 2)^2} + a$
 $a = 200\text{mm}$

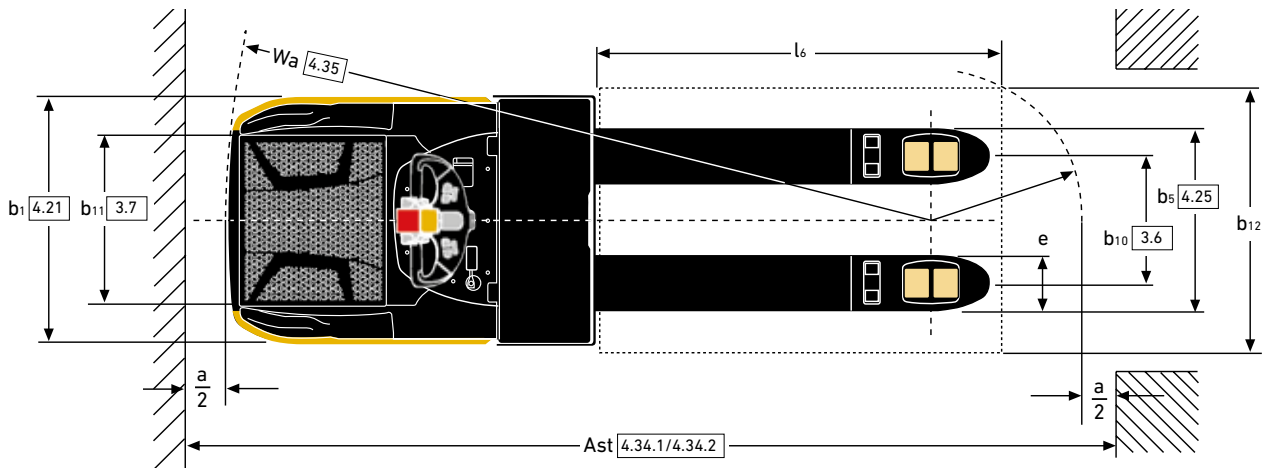
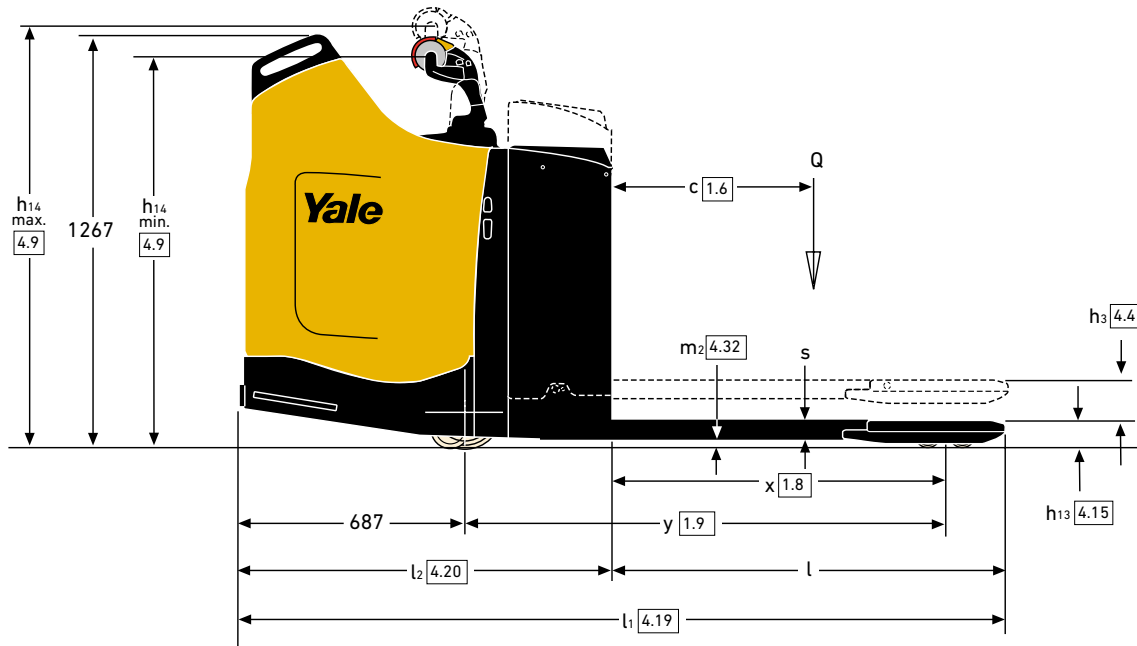


TRUCK DIMENSIONS – SIDE PROTECTION – MPX SERIES

$$Ast = Wa + R + a$$

$$Ast = Wa \sqrt{(l_6 - x)^2 + b_{12} / 2)^2} + a$$

$$a = 200\text{mm}$$

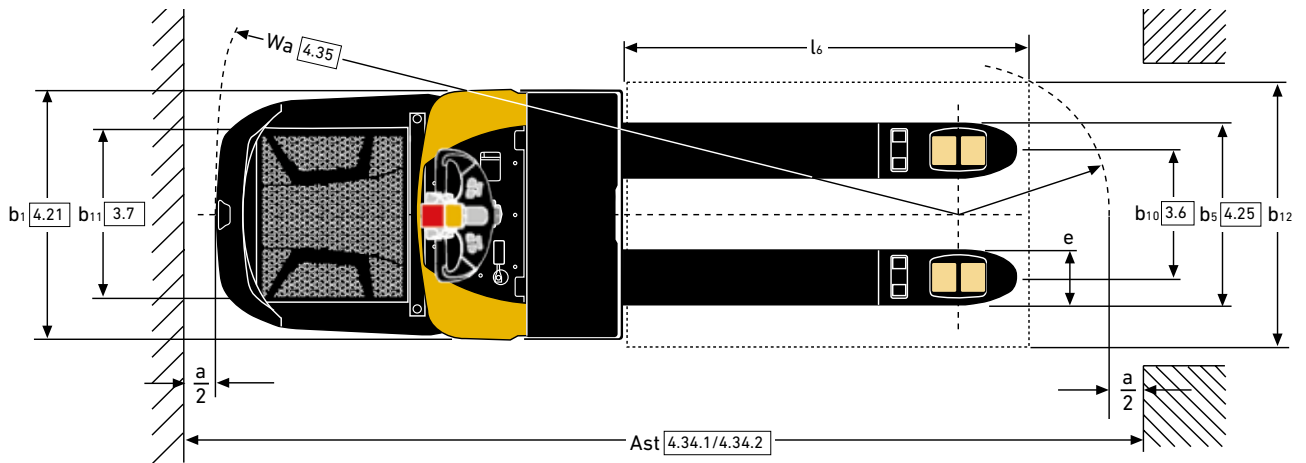
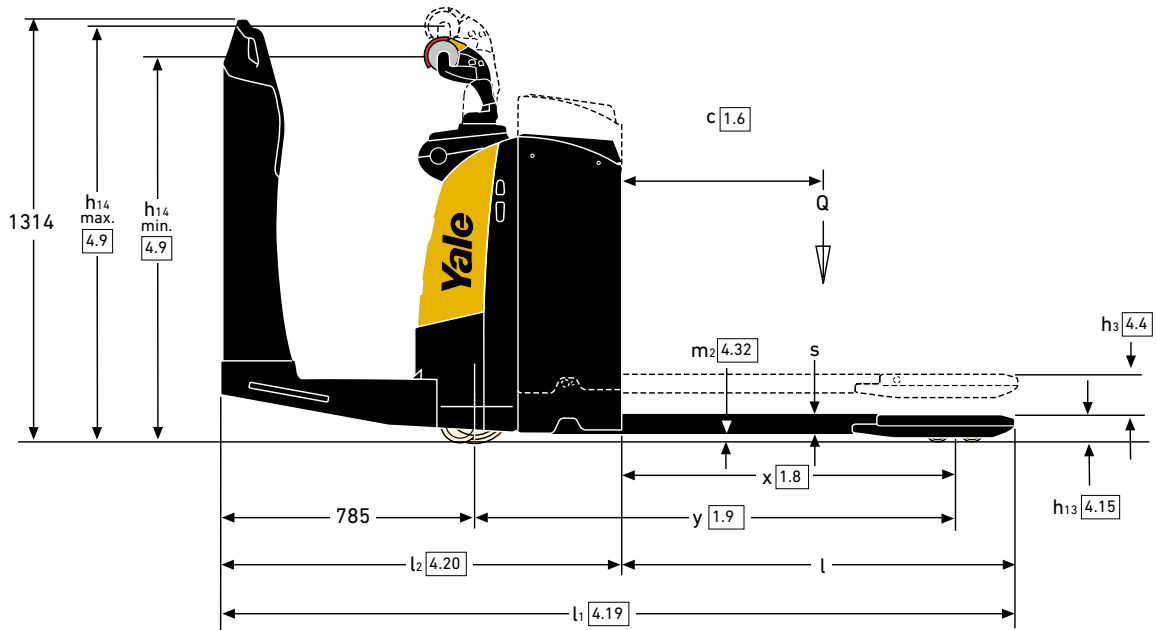


TRUCK DIMENSIONS – REAR PROTECTION – MPX SERIES

$$A_{st} = W_a + R + a$$

$$A_{st} = W_a \sqrt{(l_6 - x)^2 + (b_{12}/2)^2} + a$$

$$a = 200\text{mm}$$



BATTERY COMPARTMENT – MP20X

1.2	Model designation		MP20X	MP20X Platform with side protection and Scooter Control	MP20X Platform with rear protection and Scooter Control
1.9	Wheelbase	y (mm)	1382		-
2.1	Service weight ⁽¹⁾	kg		-	
2.2	Axle loading, laden front/rear	kg		-	
2.3	Axle loading, unladen front/rear	kg		-	
4.19	Overall length (pedestrian)	l ₁ (mm)	1810		-
4.19.1	Overall length (stand-on)	l ₁ (mm)	2243		-
4.20	Length to face of forks (pedestrian)	l ₂ (mm)	630		-
4.20.1	Length to face of forks (stand-on)	l ₂ (mm)	1063		-
4.34.1	Aisle width for pallets 1000mm x 1200mm crossways (pedestrian)	Ast (mm)	2463		-
4.34.2	Aisle width for pallets 1000mm x 1200mm crossways (stand-on)	Ast (mm)	2873		-
4.34.3	Aisle width for pallets 800mm x 1200mm lengthwise (pedestrian)	Ast (mm)	2308		-
4.35.4	Aisle width for pallets 800mm x 1200mm lengthwise (stand-on)	Ast (mm)	2718		-
4.35	Turning radius (pedestrian)	Wa (mm)	1663		-
4.35.1	Turning radius (stand-on)	Wa (mm)	2073		-
6.3	Battery according to DIN 43531/35/36 A,B,C, no		no		-
6.4	Battery voltage/nominal capacity K5	(V)/(Ah)	24 / 200		-
6.5	Battery weight ⁽¹⁾	kg	185		-

(1) These values may vary of +/- 5%

BATTERY COMPARTMENT – MP20X

1.2	Model designation		MP20X FBW	MP20X FBW Platform with side protection and Scooter Control	MP20X FBW Platform with rear protection and Scooter Control
1.9	Wheelbase	y (mm)	1444		-
2.1	Service weight ⁽¹⁾	kg		-	
2.2	Axle loading, laden front/rear	kg		-	
2.3	Axle loading, unladen front/rear	kg		-	
4.19	Overall length (pedestrian)	l ₁ (mm)	1872		-
4.19.1	Overall length (stand-on)	l ₁ (mm)	2305		-
4.20	Length to face of forks (pedestrian)	l ₂ (mm)	692		-
4.20.1	Length to face of forks (stand-on)	l ₂ (mm)	1125		-
4.34.1	Aisle width for pallets 1000mm x 1200mm crossways (pedestrian)	Ast (mm)	2524		-
4.34.2	Aisle width for pallets 1000mm x 1200mm crossways (stand-on)	Ast (mm)	2935		-
4.34.3	Aisle width for pallets 800mm x 1200mm lengthwise (pedestrian)	Ast (mm)	2369		-
4.35.4	Aisle width for pallets 800mm x 1200mm lengthwise (stand-on)	Ast (mm)	2780		-
4.35	Turning radius (pedestrian)	Wa (mm)	1724		-
4.35.1	Turning radius (stand-on)	Wa (mm)	2135		-
6.3	Battery according to DIN 43531/35/36 A,B,C, no		B		-
6.4	Battery voltage/nominal capacity K5	(V)/(Ah)	24 / 375 ⁽²⁾		-
6.5	Battery weight ⁽¹⁾	kg	288		-

(1) These values may vary of +/- 5%

(2) Available battery 210/250Ah (212 kg); 24V / 200Ah Li-Ion (211 kg)

BATTERY COMPARTMENT – MP20X

1.2	Model designation		MP20X FBW	MP20X FBW Platform with side protection and Scooter Control	MP20X FBW Platform with rear protection and Scooter Control
1.9	Wheelbase	y (mm)		1588	
2.1	Service weight ⁽¹⁾	kg		-	
2.2	Axle loading, laden front/rear	kg		-	
2.3	Axle loading, unladen front/rear	kg		-	
4.19	Overall length (pedestrian)	l ₁ (mm)	2016		-
4.19.1	Overall length (stand-on)	l ₁ (mm)	2449	2450	2548
4.20	Length to face of forks (pedestrian)	l ₂ (mm)	836		-
4.20.1	Length to face of forks (stand-on)	l ₂ (mm)	1269	1270	1368
4.34.1	Aisle width for pallets 1000mm x 1200mm crossways (pedestrian)	Ast (mm)	2666		-
4.34.2	Aisle width for pallets 1000mm x 1200mm crossways (stand-on)	Ast (mm)	3078	3077	3173
4.34.3	Aisle width for pallets 800mm x 1200mm lengthwise (pedestrian)	Ast (mm)	2511		-
4.35.4	Aisle width for pallets 800mm x 1200mm lengthwise (stand-on)	Ast (mm)	2923	2922	3018
4.35	Turning radius (pedestrian)	Wa (mm)	1866		-
4.35.1	Turning radius (stand-on)	Wa (mm)	2278	2277	2373
6.3	Battery according to DIN 43531/35/36 A,B,C, no			B	
6.4	Battery voltage/nominal capacity K5	(V)/(Ah)		24 / 500	
6.5	Battery weight ⁽¹⁾	kg		370	

(1) These values may vary of +/- 5%

All values are nominal values and they are subject to tolerances.

BATTERY / FORKS TABLE – PLATFORM – MP20X

Battery (Ah)	l (mm)	x ⁽¹⁾ (mm)	y ⁽²⁾ (mm)	l ₁ ped. (mm)	l ₁ plat. (mm)	l ₂ ped. (mm)	l ₂ plat. (mm)	l ₄ (mm)	b ₁₂ (mm)	R (mm)	Wa ped. ⁽¹⁾ (mm)	Wa plat. ⁽¹⁾ (mm)	a (mm)	Ast ped. ⁽¹⁾ (mm)	Ast plat. ⁽¹⁾ (mm)
200	1180	938	1382	1810	2243	630	1063	1200	800	478	1595	2011	200	2273	2689
250	1180	938	1444	1872	2305	692	1125	1200	800	478	1657	2073	200	2335	2751
375	1180	938	1516	1944	2377	764	1197	1200	800	478	1728	2144	200	2406	2822
500	1180	938	1588	2016	2449	836	1269	1200	800	478	1799	2215	200	2477	2893
200	1180	938	1382	1810	2243	630	1063	1200	1000	564	1595	2011	200	2359	2775
250	1180	938	1444	1872	2305	692	1125	1200	1000	564	1657	2073	200	2421	2837
375	1180	938	1516	1944	2377	764	1197	1200	1000	564	1728	2144	200	2492	2908
500	1180	938	1588	2016	2449	836	1269	1200	1000	564	1799	2215	200	2563	2979
250	990	748	1254	1682	2115	692	1125	1000	1200	651	1470	1884	200	2321	2735
375	990	748	1326	1682	2115	692	1125	1000	1200	651	1541	1955	200	2392	2806
500	990	748	1398	1682	2115	692	1125	1000	1200	651	1612	2026	200	2463	2877
250	1590	1348	1854	2282	2715	692	1125	1600	1200	651	2062	2481	200	2913	3332
375	1590	1348	1926	2282	2715	692	1125	1600	1200	651	2133	2552	200	2984	3403
500	1590	1348	1998	2282	2715	692	1125	1600	1200	651	2204	2623	200	3055	3474
250	1980	1298	1804	2672	3105	692	1125	2000	1200	923	2012	2431	200	3135	3554
375	1980	1298	1876	2672	3105	692	1125	2000	1200	923	2083	2502	200	3206	3625
500	1980	1298	1948	2672	3105	692	1125	2000	1200	923	2154	2573	200	3277	3696
250	2390	1348	1854	3082	3515	692	1125	2400	800	1125	2062	2481	200	3387	3806
375	2390	1348	1926	3082	3515	692	1125	2400	800	1125	2133	2552	200	3458	3877
500	2390	1348	1998	3082	3515	692	1125	2400	800	1125	2204	2623	200	3529	3948
250	2390	1348	1854	3082	3515	692	1125	2400	1200	1211	2062	2481	200	3473	3892
375	2390	1348	1926	3082	3515	692	1125	2400	1200	1211	2133	2552	200	3544	3963
500	2390	1348	1998	3082	3515	692	1125	2400	1200	1211	2204	2623	200	3615	4034
250	2390	1561	2067	3082	3515	692	1125	2400	1000	977	2273	2693	200	3450	3870
375	2390	1561	2139	3082	3515	692	1125	2400	1000	977	2344	2764	200	3521	3941
500	2390	1561	2211	3082	3515	692	1125	2400	1000	977	2415	2835	200	3592	4012
250	2390	1775	2281	3082	3515	692	1125	2400	800	742	2485	2907	200	3427	3849
375	2390	1775	2353	3082	3515	692	1125	2400	800	742	2556	2978	200	3498	3920
500	2390	1775	2425	3082	3515	692	1125	2400	800	742	2627	3049	200	3569	3991
250	2390	1775	2281	3082	3515	692	1125	2400	1000	800	2485	2907	200	3485	3907
375	2390	1775	2353	3154	3587	764	1197	2400	1000	800	2556	2978	200	3556	3978
500	2390	1775	2425	3226	3659	836	1269	2400	1000	800	2627	3049	200	3627	4049
250	2390	1775	2281	3082	3515	692	1125	2400	1200	866	2485	2907	200	3551	3973
375	2390	1775	2353	3154	3587	764	1197	2400	1200	866	2556	2978	200	3622	4044
500	2390	1775	2425	3226	3659	836	1269	2400	1200	866	2627	3049	200	3693	4115
250	2390	2148	2654	3082	3515	692	1125	2400	800	473	2856	3279	200	3529	3952
375	2390	2148	2726	3082	3515	692	1125	2400	800	473	2927	3350	200	3600	4023
500	2390	2148	2798	3082	3515	692	1125	2400	800	473	2998	3421	200	3671	4094
250	2390	2148	2654	3082	3515	692	1125	2400	1000	560	2856	3279	200	3616	4039
375	2390	2148	2726	3154	3587	764	1197	2400	1000	560	2927	3350	200	3687	4110
500	2390	2148	2798	3226	3659	836	1269	2400	1000	560	2998	3421	200	3758	4181
250	2390	2148	2654	3082	3515	692	1125	2400	1200	651	2856	3279	200	3707	4130
375	2390	2148	2726	3154	3587	764	1197	2400	1200	651	2927	3350	200	3778	4201
500	2390	2148	2798	3226	3659	836	1269	2400	1200	651	2998	3421	200	3849	4272
250	2850	2275	2781	3542	3975	692	1125	3000	1200	941	2982	3405	200	4123	4546
375	2850	2275	2853	3542	3975	692	1125	3000	1200	941	3053	3476	200	4194	4617
500	2850	2275	2925	3542	3975	692	1125	3000	1200	941	3124	3547	200	4265	4688

(1) With stand-on version +439mm

(2) All weights are: forks + tie rods

BATTERY / FORKS TABLE – REAR PROTECTION – MP20X

Battery (Ah)	l (mm)	x ⁽¹⁾ (mm)	y ⁽²⁾ (mm)	l ₁ ped. (mm)	l ₁ plat. (mm)	l ₂ ped. (mm)	l ₂ plat. (mm)	l _e (mm)	b ₁₂ (mm)	R (mm)	Wa ped. ⁽¹⁾ (mm)	Wa plat. ⁽¹⁾ (mm)	a (mm)	Ast ped. ⁽¹⁾ (mm)	Ast plat. ⁽¹⁾ (mm)
375	1180	938	1516	NA	2476	NA	1296	1200	800	478	NA	2234	200	NA	2912
500	1180	938	1588	NA	2476	NA	1296	1200	800	478	NA	2306	200	NA	2984
375	1180	938	1516	NA	2476	NA	1296	1200	1000	564	NA	2234	200	NA	2998
500	1180	938	1588	NA	2548	NA	1368	1200	1000	564	NA	2306	200	NA	3070
375	990	748	1326	NA	2286	NA	1296	1000	1200	651	NA	2044	200	NA	2895
500	990	748	1398	NA	2286	NA	1296	1000	1200	651	NA	2116	200	NA	2967
375	1590	1348	1926	NA	2886	NA	1296	1600	1200	651	NA	2644	200	NA	3495
500	1590	1348	1998	NA	2886	NA	1296	1600	1200	651	NA	2716	200	NA	3567
375	1980	1298	1876	NA	3276	NA	1296	2000	1200	923	NA	2594	200	NA	3717
500	1980	1298	1948	NA	3276	NA	1296	2000	1200	923	NA	2666	200	NA	3789
375	2390	1348	1926	NA	3686	NA	1296	2400	800	1125	NA	2644	200	NA	3969
500	2390	1348	1998	NA	3686	NA	1296	2400	800	1125	NA	2716	200	NA	4041
375	2390	1348	1926	NA	3686	NA	1296	2400	1200	1211	NA	2644	200	NA	4055
500	2390	1348	1998	NA	3758	NA	1368	2400	1200	1211	NA	2716	200	NA	4127
375	2390	1561	2139	NA	3686	NA	1296	2400	1000	977	NA	2857	200	NA	4034
500	2390	1561	2211	NA	3686	NA	1296	2400	1000	977	NA	2929	200	NA	4106
375	2390	1775	2353	NA	3686	NA	1296	2400	800	742	NA	3071	200	NA	4013
500	2390	1775	2425	NA	3686	NA	1296	2400	800	742	NA	3143	200	NA	4085
375	2390	1775	2353	NA	3686	NA	1296	2400	1000	800	NA	3071	200	NA	4071
500	2390	1775	2425	NA	3758	NA	1368	2400	1000	800	NA	3143	200	NA	4143
375	2390	1775	2353	NA	3686	NA	1296	2400	1200	866	NA	3071	200	NA	4137
500	2390	1775	2425	NA	3758	NA	1368	2400	1200	866	NA	3143	200	NA	4209
375	2390	2148	2726	NA	3686	NA	1296	2400	800	473	NA	3444	200	NA	4117
500	2390	2148	2798	NA	3686	NA	1296	2400	800	473	NA	3516	200	NA	4189
375	2390	2148	2726	NA	3686	NA	1296	2400	1000	560	NA	3444	200	NA	4204
500	2390	2148	2798	NA	3758	NA	1368	2400	1000	560	NA	3516	200	NA	4276
375	2390	2148	2726	NA	3686	NA	1296	2400	1200	651	NA	3444	200	NA	4295
500	2390	2148	2798	NA	3758	NA	1368	2400	1200	651	NA	3516	200	NA	4367
375	2850	2275	2853	NA	4146	NA	1296	3000	1200	941	NA	3571	200	NA	4712
500	2850	2275	2925	NA	4146	NA	1296	3000	1200	941	NA	3643	200	NA	4784

(1) With stand-on version +439mm

(2) All weights are: forks + tie rods

TRUCK DIMENSIONS – BACK PROTECTION – MP20X

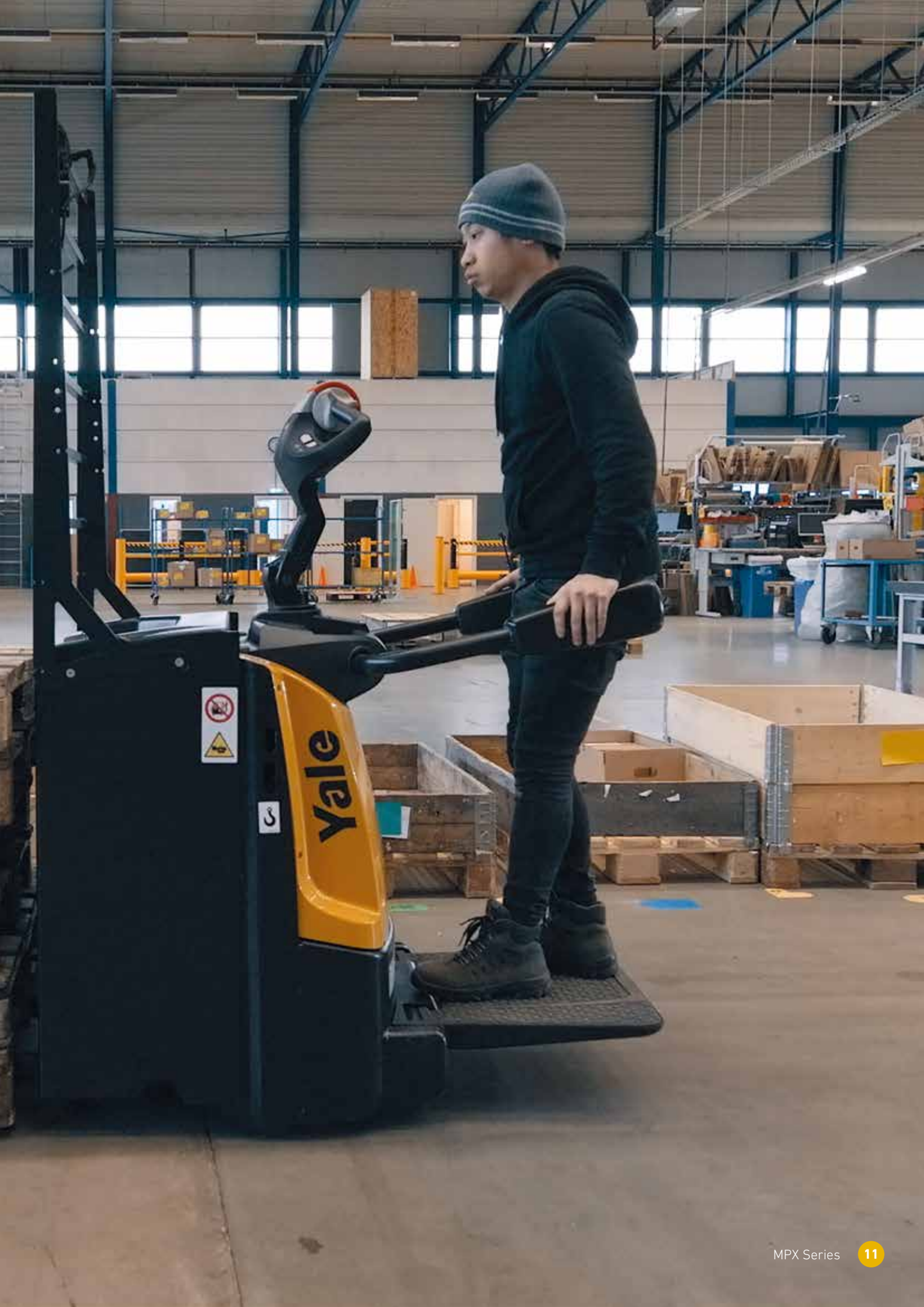
Battery (Ah)	l (mm)	x ⁽¹⁾ (mm)	y ⁽²⁾ (mm)	l ₁ ped. (mm)	l ₁ plat. (mm)	l ₂ ped. (mm)	l ₂ plat. (mm)	l _e (mm)	b ₁₂ (mm)	R (mm)	Wa ped. ⁽¹⁾ (mm)	Wa plat. ⁽¹⁾ (mm)	a (mm)	Ast ped. ⁽¹⁾ (mm)	Ast plat. ⁽¹⁾ (mm)
375	1180	938	1516	2378	NA	NA	1198	1200	800	478	NA	2138	200	NA	2816
500	1180	938	1588	2378	NA	NA	1198	1200	800	478	NA	2210	200	NA	2888
375	1180	938	1516	2378	NA	NA	1198	1200	1000	564	NA	2138	200	NA	2902
500	1180	938	1588	2450	NA	NA	1270	1200	1000	564	NA	2210	200	NA	2974
375	990	748	1326	2188	NA	NA	1198	1200	1200	651	NA	1949	200	NA	2800
500	990	748	1398	2188	NA	NA	1198	1200	1200	651	NA	2021	200	NA	2872
375	1590	1348	1926	2788	NA	NA	1198	1200	1200	651	NA	2546	200	NA	3397
500	1590	1348	1998	2788	NA	NA	1198	1200	1200	651	NA	2618	200	NA	3469
375	1980	1298	1876	3178	NA	NA	1198	1000	1200	923	NA	2496	200	NA	3619
500	1980	1298	1948	3178	NA	NA	1198	1000	1200	923	NA	2568	200	NA	3691
375	2390	1348	1926	3588	NA	NA	1198	1000	800	1125	NA	2546	200	NA	3871
500	2390	1348	1998	3588	NA	NA	1198	1600	800	1125	NA	2618	200	NA	3943
375	2390	1348	1926	3588	NA	NA	1198	1600	1200	1211	NA	2546	200	NA	3957
500	2390	1348	1998	3660	NA	NA	1270	1600	1200	1211	NA	2618	200	NA	4029
375	2390	1561	2139	3588	NA	NA	1198	2000	1000	977	NA	2759	200	NA	3936
500	2390	1561	2211	3588	NA	NA	1198	2000	1000	977	NA	2831	200	NA	4008
375	2390	1775	2353	3588	NA	NA	1198	2000	800	742	NA	2973	200	NA	3915
500	2390	1775	2425	3588	NA	NA	1198	2400	800	742	NA	3045	200	NA	3987
375	2390	1775	2353	3588	NA	NA	1198	2400	1000	800	NA	2973	200	NA	3973
500	2390	1775	2425	3660	NA	NA	1270	2400	1000	800	NA	3045	200	NA	4045
375	2390	1775	2353	3588	NA	NA	1198	2400	1200	866	NA	2973	200	NA	4039
500	2390	1775	2425	3660	NA	NA	1270	2400	1200	866	NA	3045	200	NA	4111
375	2390	2148	2726	3588	NA	NA	1198	2400	800	473	NA	3346	200	NA	4019
500	2390	2148	2798	3588	NA	NA	1198	2400	800	473	NA	3418	200	NA	4091
375	2390	2148	2726	3588	NA	NA	1198	2400	1000	560	NA	3346	200	NA	4106
500	2390	2148	2798	3660	NA	NA	1270	2400	1000	560	NA	3418	200	NA	4178
375	2390	2148	2726	3588	NA	NA	1198	2400	1200	651	NA	3346	200	NA	4197
500	2390	2148	2798	3660	NA	NA	1270	2400	1200	651	NA	3418	200	NA	4269
375	2850	2275	2853	4048	NA	NA	1198	2400	1200	941	NA	3473	200	NA	4614
500	2850	2275	2925	4048	NA	NA	1198	2400	1200	941	NA	3545	200	NA	4686

(1) With stand-on version +439mm

(2) All weights are: forks + tie rods

All values are nominal values and they are subject to tolerances.







About Yale®

Yale Materials Handling Corporation is one of the oldest manufacturers of lift trucks in the world. We've been in the business of lifting since 1875 and we apply that experience to help customers solve materials handling challenges. Our full line of lift trucks range in capacity from 1 to 16 tonne and are powered by internal combustion engines or electric options. Yale also offers robotic solutions, telemetry, fleet management, parts, financing and training. From traditional lift truck equipment to emerging technologies, our goal, every day, is to work with our nationwide dealer network to continually improve and provide the solutions you need, when and how you need them.

MATERIALS HANDLING FOR:

3PL

Auto Parts

Beverage

Cold & Frozen Foods

Food Distribution

Food Processing

Furniture & Furnishings

Health & Pharma

Home Centres

Retail

E-Commerce

Yale Lift Truck Technologies

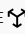
Centennial House
Frimley Business Park
Frimley
Surrey
GU16 7SG
United Kingdom

www.yale.com



Safety: All Yale products sold into EU countries, UK, and Turkey conform to the EU requirements of Machinery Directive 2006/42/EC and contain **CE** marking. Yale trucks sold into other countries may be ordered for production in conformance with Machinery Directive requirements, and when so ordered will contain **CE** marking.

HYSTER-YALE UK LIMITED trading as Yale Lift Truck Technologies. Registered Address: Centennial House, Building 4.5, Frimley Business Park, Frimley, Surrey, GU16 7SG, United Kingdom. Registered in England and Wales. Company Registration Number: 02636775.

©2023 Hyster-Yale Group, Inc., all rights reserved. YALE and YALE  are trademarks of Hyster-Yale Group, Inc. Trucks may be shown with optional equipment and/or features not available in all regions. Truck performance may be affected by the condition of the vehicle, how it is equipped and the application. Specifications are subject to change without notice.

Notice: Care must be exercised when handling elevated loads. Operators must be trained and must read, understand and follow the instructions contained in the Operating Manual. Consult your Yale® Dealer if any of the information shown is critical to your application.

Publication part no. 220991628 Rev.00 (0323DMS) EN